

PETCAM_RE5_V1.DSP

TOP-layer

Index	Designator	Part Value	Foot Print	Comment	Rotation	Mount	Pri-Feeder	MidX	MidY	Layer	Date/Time
29	BU1	CON\lp\CAB01412	sip\lp\01412		0	0		-20.32	-3.81	T	2020-09-03 21:06:06
141	BU2	Micro USB 5p 629105136821	p_USB_Würth_62910513		360	0		10.2616	-12.0737	T	2020-09-03 21:06:06
28	BU3	CON\lp\CAB01412	sip\lp\01412		90	0		-20.32	-0.254	T	2020-09-03 21:06:06
48	C32	22pF	0402		90	1	W4	10.2362	-6.604	T	2020-09-03 21:06:06
73	C4	1nF	0402		360	1	W6	9.9314	10.3378	T	2020-09-03 21:06:06
147	C41	100nF	0402		360	1	W3	14.6812	2.3622	T	2020-09-03 21:06:06
148	C42	100nF	0402		360	1	W3	12.25	2.25	T	2020-09-03 21:06:06
41	C44	100nF	0402		270	1	W3	21.0566	-4.699	T	2020-09-03 21:06:06
40	C45	33nF	0402		90	0		7.3914	0.762	T	2020-09-03 21:06:06
39	C46	100nF	0402		90	1	W3	8.3058	0.762	T	2020-09-03 21:06:06
38	C47	33nF	0402		360	0		13.2588	-3.0226	T	2020-09-03 21:06:06
37	C48	100nF	0402		360	1	W3	13.2588	-2.0066	T	2020-09-03 21:06:06
36	C49	33nF	0402		360	0		10.5664	-2.286	T	2020-09-03 21:06:06
72	C5	100nF	0402		360	1	W3	9.9314	11.2014	T	2020-09-03 21:06:06
35	C50	100nF	0402		360	1	W3	10.5664	-3.2004	T	2020-09-03 21:06:06
34	C51	1nF	0402		360	1	W6	1.3716	10.4902	T	2020-09-03 21:06:06
33	C52	100nF	0402		360	1	W3	1.3716	11.3792	T	2020-09-03 21:06:06
27	C53	22pF	0402		360	1	W4	6.0452	2.286	T	2020-09-03 21:06:06
26	C54	22pF	0402		90	1	W4	9.8806	1.6764	T	2020-09-03 21:06:06

PETCAM_RE5_V1.DSP

TOP-layer

Index	Designator	Part Value	Foot Print	Comment	Rotation	Mount	Pri-Feeder	MidX	MidY	Layer	Date/Time
24	C56	22pF	0402		180	1	W4	4.6482	-11.7348	T	2020-09-03 21:06:06
161	C57	1uF	0603		90	1	W7	0.4826	-5.207	T	2020-09-03 21:06:06
162	C58	10nF	0402		360	0		11.8872	-4.5212	T	2020-09-03 21:06:06
179	C59	1nF	0402		90	1	W6	-16.8402	4.5974	T	2020-09-03 21:06:06
71	C6	1uF	0603		180	1	W7	9.398	12.192	T	2020-09-03 21:06:06
180	C60	100nF	0402		90	1	W3	-17.78	4.5974	T	2020-09-03 21:06:06
12	C63	100nF	0402		180	1	W3	0.1778	-2.6924	T	2020-09-03 21:06:06
101	CAM1	ImageSensor OV7660FB LM	irth_24p_zif_RM0,5_6		360	0		4.9784	8.2902	T	2020-09-03 21:06:06
56	D1	TVS Diode Array WE-TVS 82400102	SOT23-6L_WE-TVS		360	0		16.9418	-12.065	T	2020-09-03 21:06:06
50	D2	LED 2012 Rot/ Grün	2012_R_G		180	0		-5.08	10.7004	T	2020-09-03 21:06:06
149	FB12	300R/100Mhz/ 0,15R	0603		360	1	W1	13.3096	12.8778	T	2020-09-03 21:06:06
150	FB13	300R/100Mhz/ 0,15R	0603		360	1	W1	15.3924	3.556	T	2020-09-03 21:06:06
32	FB14	300R/100Mhz/ 0,15R	0603		360	1	W1	1.143	12.446	T	2020-09-03 21:06:06
160	FB15	300R/100Mhz/ 0,15R	0603		90	1	W1	19.7866	5.449	T	2020-09-03 21:06:06
163	FB16	300R/100Mhz/ 0,15R	0603		180	1	W1	-2.2606	-3.683	T	2020-09-03 21:06:06
183	FB18	300R/100Mhz/ 0,15R	0603		360	1	W1	-19.685	-6.096	T	2020-09-03 21:06:06
117	L2	90 Ohm	WE-CNSW,_0805		180	0		16.0274	-9.144	T	2020-09-03 21:06:06
164	M1	Testpoint	Testpoint		0	0		15.24	-7.62	T	2020-09-03 21:06:06
172	M12	Testpoint	Testpoint		0	0		-10.16	3.81	T	2020-09-03 21:06:06

PETCAM_RE5_V1.DSP

TOP-layer

Index	Designator	Part Value	Foot Print	Comment	Rotation	Mount	Pri-Feeder	MidX	MidY	Layer	Date/Time
173	M13	Testpoint	Testpoint		0	0		3.81	-1.27	T	2020-09-03 21:06:06
174	M14	Testpoint	Testpoint		0	0		-17.78	2.54	T	2020-09-03 21:06:06
175	M16	Testpoint	Testpoint		0	0		-17.78	12.7	T	2020-09-03 21:06:06
176	M17	Testpoint	Testpoint		0	0		-1.27	-10.16	T	2020-09-03 21:06:06
165	M2	Testpoint	Testpoint		0	0		20.32	2.54	T	2020-09-03 21:06:06
185	M21	Testpoint	Testpoint		0	0		12.7	10.16	T	2020-09-03 21:06:06
186	M22	Testpoint	Testpoint		0	0		13.97	10.16	T	2020-09-03 21:06:06
187	M23	Testpoint	Testpoint		0	0		6.35	12.7	T	2020-09-03 21:06:06
166	M3	Testpoint	Testpoint		0	0		15.24	-5.08	T	2020-09-03 21:06:06
167	M4	Testpoint	Testpoint		0	0		17.78	-7.62	T	2020-09-03 21:06:06
184	M5	Testpoint	Testpoint		0	0		17.78	-5.08	T	2020-09-03 21:06:06
168	M6	Testpoint	Testpoint		0	0		12.7	-6.35	T	2020-09-03 21:06:06
169	M7	Testpoint	Testpoint		0	0		16.51	12.7	T	2020-09-03 21:06:06
170	M8	Testpoint	Testpoint		0	0		1.27	2.54	T	2020-09-03 21:06:06
171	M9	Testpoint	Testpoint		0	0		-3.556	12.827	T	2020-09-03 21:06:06
82	MIK1	Mikrophon KPCM- H22PC33-44DB-1	Mik_KPCM-G45H22PC33		360	0		4.4008	11.601	T	2020-09-03 21:06:06
142	PA1	PASSER2	PASSER2		0	0		-17.5	-12.75	T	2020-09-03 21:06:06
143	PA2	PASSER2	PASSER2		90	0		18.75	13.25	T	2020-09-03 21:06:06
47	R14	6K8	0402		90	0		11.0236	-6.604	T	2020-09-03 21:06:06

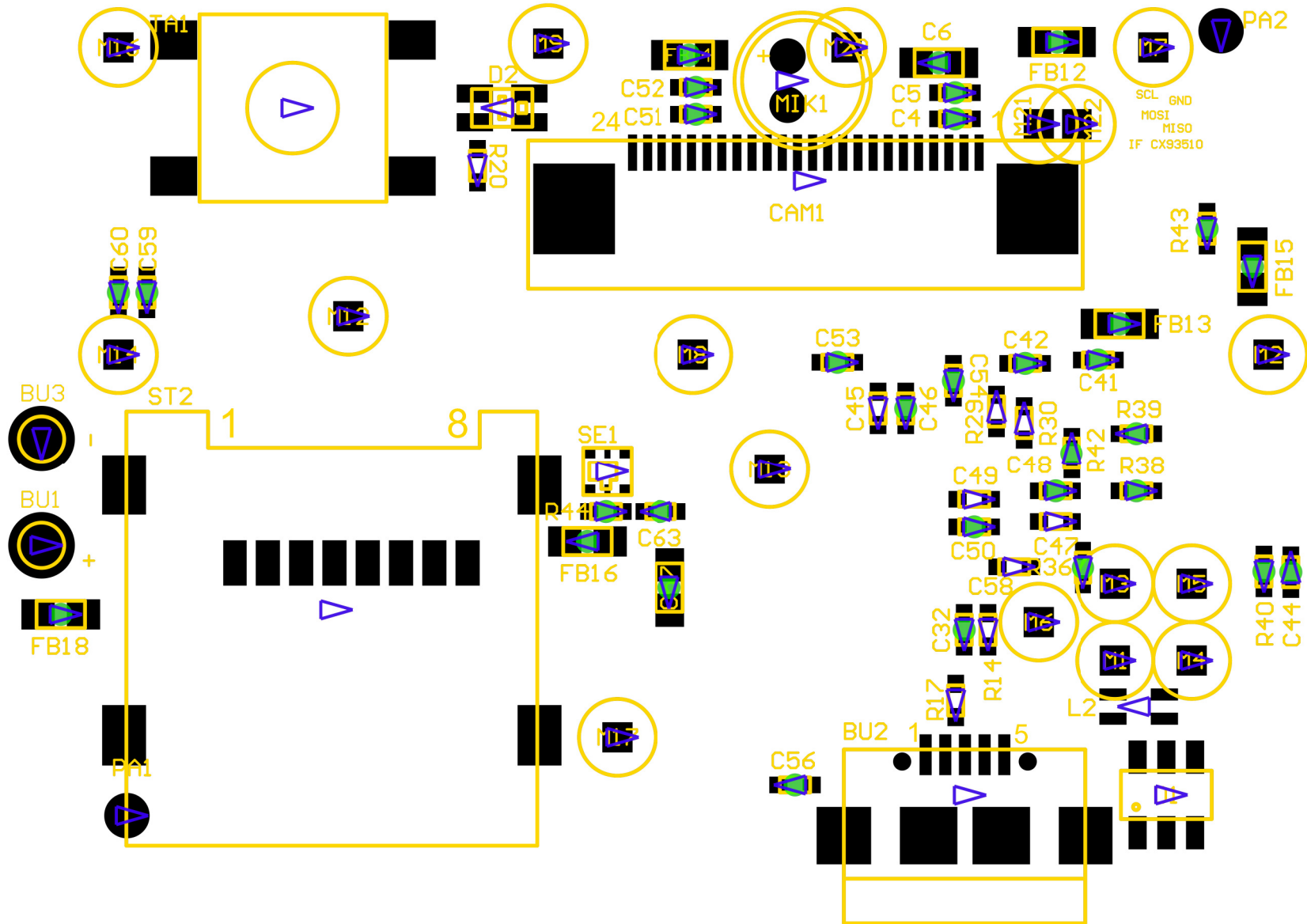
PETCAM_RE5_V1.DSP

TOP-layer

Index	Designator	Part Value	Foot Print	Comment	Rotation	Mount	Pri-Feeder	MidX	MidY	Layer	Date/Time
44	R17	0R	0402		90	0		9.9568	-8.9408	T	2020-09-03 21:06:06
126	R20	220R	0402		90	0		-5.8928	8.7884	T	2020-09-03 21:06:06
137	R29	33R	0402		270	0		11.303	0.6604	T	2020-09-03 21:06:06
138	R30	33R	0402		270	0		12.2174	0.2794	T	2020-09-03 21:06:06
15	R36	4K7	0402		90	1	W26	14.1732	-4.5466	T	2020-09-03 21:06:06
156	R38	1K	0402		360	1	W21	15.9512	-2.0066	T	2020-09-03 21:06:06
157	R39	1K	0402		180	1	W21	15.9512	-0.0762	T	2020-09-03 21:06:06
31	R40	10K	0402		90	1	W27	20.1676	-4.6736	T	2020-09-03 21:06:06
158	R42	10K	0402		270	1	W27	13.7922	-0.7366	T	2020-09-03 21:06:06
159	R43	10K	0402		90	1	W27	18.288	6.7056	T	2020-09-03 21:06:06
11	R44	10K	0402		360	1	W27	-1.651	-2.6924	T	2020-09-03 21:06:06
10	SE1	APDS-9003-020	APDS-9003-020		0	0		-1.6002	-1.3462	T	2020-09-03 21:06:06
23	ST2	112C sd Socket	112C_mit_Micro_SD		360	0		-10.7188	-5.9436	T	2020-09-03 21:06:06
115	TA1	Taster 7mm 430 182 070 816	er_7mm_430_182_070_		360	0		-12.0012	10.695	T	2020-09-03 21:06:06

PETCAM_RE5_V1.DSP

TOP-layer



PETCAM_RE5_V1.DSP

BOT-Layer

Index	Designator	Part Value	Foot Print	Comment	Rotation	Mount	Pri-Feeder	MidX	MidY	Layer	Date/Time
75	C1	1nF	0402		270	1	W6	5.0546	3.683	B	2020-09-03 21:06:06
68	C10	33pF	0402		360	0		-13.3096	7.0358	B	2020-09-03 21:06:06
90	C11	33pF	0402		270	0		11.1252	2.1082	B	2020-09-03 21:06:06
91	C12	33pF	0402		90	0		15.6972	2.2606	B	2020-09-03 21:06:06
86	C13	100nF	0402		180	1	W3	9.0424	3.6322	B	2020-09-03 21:06:06
89	C14	1uF	0603		180	1	W7	17.526	7.239	B	2020-09-03 21:06:06
87	C15	100nF	0402		360	1	W3	13.462	12.8016	B	2020-09-03 21:06:06
88	C16	1uF	0603		180	1	W7	17.526	5.8674	B	2020-09-03 21:06:06
96	C17	100nF	0402		180	1	W3	1.5494	-0.3048	B	2020-09-03 21:06:06
92	C18	1uF	0603		360	1	W7	1.143	-4.064	B	2020-09-03 21:06:06
93	C19	10nF	0402		180	0		1.651	-2.032	B	2020-09-03 21:06:06
74	C2	100nF	0402		270	1	W3	4.2418	3.683	B	2020-09-03 21:06:06
95	C20	1uF	0603		270	1	W7	15.875	-4.699	B	2020-09-03 21:06:06
94	C21	10nF	0402		90	0		14.732	-4.699	B	2020-09-03 21:06:06
112	C22	1uF	0603		360	1	W7	-0.8128	12.3698	B	2020-09-03 21:06:06
52	C23	10nF	0402		360	0		-9.4742	-3.2512	B	2020-09-03 21:06:06
51	C24	1uF	0603		180	1	W7	-8.9916	-2.2352	B	2020-09-03 21:06:06
67	C25	33pF	0402		90	0		-20.6248	6.604	B	2020-09-03 21:06:06
81	C26	10μ	0805_X5R_10μ_10V		90	1	W10	-9.525	3.81	B	2020-09-03 21:06:06

PETCAM_RE5_V1.DSP

BOT-Layer

Index	Designator	Part Value	Foot Print	Comment	Rotation	Mount	Pri-Feeder	MidX	MidY	Layer	Date/Time
80	C27	10µ	0805_X5R_10µ_10V		90	1	W10	-11.303	3.81	B	2020-09-03 21:06:06
79	C28	10µ	0805_X5R_10µ_10V		90	1	W10	-17.145	3.81	B	2020-09-03 21:06:06
66	C29	10µ	0805_X5R_10µ_10V		90	1	W10	-18.923	3.81	B	2020-09-03 21:06:06
103	C3	1uF	0603		90	1	W7	3.2258	4.1148	B	2020-09-03 21:06:06
58	C30	1uF	0603		90	1	W7	-13.589	11.049	B	2020-09-03 21:06:06
57	C31	1uF	0603		360	1	W7	-7.112	10.16	B	2020-09-03 21:06:06
118	C33	100nF	0402		270	1	W3	-13.081	-12.7	B	2020-09-03 21:06:06
119	C34	1uF	0603		90	1	W7	-14.3002	-12.319	B	2020-09-03 21:06:06
120	C35	10µ	0805_X5R_10µ_10V		270	1	W10	-17.8054	-5.5118	B	2020-09-03 21:06:06
125	C36	10µ	0805_X5R_10µ_10V		180	1	W10	-16.3576	-2.54	B	2020-09-03 21:06:06
130	C37	100nF	0402		90	1	W3	19.431	6.8326	B	2020-09-03 21:06:06
131	C38	1uF	0603		270	1	W7	20.7772	6.3246	B	2020-09-03 21:06:06
145	C39	100nF	0402		270	1	W3	19.431	4.9022	B	2020-09-03 21:06:06
146	C40	10µ	0805_X5R_10µ_10V		180	1	W10	19.177	3.0988	B	2020-09-03 21:06:06
151	C43	100nF	0402		360	1	W3	-7.4676	0.9652	B	2020-09-03 21:06:06
25	C55	22pF	0402		90	0		3.683	-12.9032	B	2020-09-03 21:06:06
181	C61	1nF	0402		360	1	W6	15.875	-6.9596	B	2020-09-03 21:06:06
182	C62	100nF	0402		360	1	W3	15.875	-7.8486	B	2020-09-03 21:06:06
104	C7	100nF	0603		360	1	W3	2.1844	12.3952	B	2020-09-03 21:06:06

PETCAM_RE5_V1.DSP

BOT-Layer

Index	Designator	Part Value	Foot Print	Comment	Rotation	Mount	Pri-Feeder	MidX	MidY	Layer	Date/Time
70	C8	10µ	0805_X5R_10µ_10V		360	1	W10	-16.383	8.382	B	2020-09-03 21:06:06
69	C9	10µ	0805_X5R_10µ_10V		360	1	W10	-16.383	10.16	B	2020-09-03 21:06:06
152	D3	BAT54C	SOT23-3		180	0		-4.3734	0.9804	B	2020-09-03 21:06:06
153	D4	BAT54C	SOT23-3		360	0		-1.7988	-2.098	B	2020-09-03 21:06:06
16	D5	BAS40-05	SOT-23-3_BAS40-05		90	0		-6.5278	8.0264	B	2020-09-03 21:06:06
105	FB1	300R/100Mhz/ 0,15R	0603		360	1	W1	1.1684	5.0292	B	2020-09-03 21:06:06
43	FB10	300R/100Mhz/ 0,15R	0603		90	1	W1	-7.62	3.683	B	2020-09-03 21:06:06
42	FB11	300R/100Mhz/ 0,15R	0603		270	1	W1	-20.701	2.552	B	2020-09-03 21:06:06
177	FB17	300R/100Mhz/ 0,15R	0603		360	1	W1	-1.778	10.414	B	2020-09-03 21:06:06
65	FB2	300R/100Mhz/ 0,15R	0603		360	1	W1	1.1684	3.7084	B	2020-09-03 21:06:06
85	FB3	300R/100Mhz/ 0,15R	0603		360	1	W1	1.143	-5.461	B	2020-09-03 21:06:06
116	FB4	300R/100Mhz/ 0,15R	0603		180	1	W1	15.875	-9.017	B	2020-09-03 21:06:06
64	FB5	300R/100Mhz/ 0,15R	0603		360	1	W1	6.9342	12.9794	B	2020-09-03 21:06:06
63	FB6	300R/100Mhz/ 0,15R	0603		180	1	W1	9.7282	12.9794	B	2020-09-03 21:06:06
49	FB7	300R/100Mhz/ 0,15R	0603		360	1	W1	-12.1158	-2.2352	B	2020-09-03 21:06:06
121	FB8	300R/100Mhz/ 0,15R	0603		270	1	W1	-15.5956	-10.8204	B	2020-09-03 21:06:06
122	FB9	300R/100Mhz/ 0,15R	0603		360	1	W1	-7.112	11.557	B	2020-09-03 21:06:06
99	IC1	AT32UC3A3256- CTUT	FBGA144_AT32UC3A325		360	0		8.509	-4.572	B	2020-09-03 21:06:06
102	IC2	CX93510/QFN48	48QFN_CX93510		360	0		12.065	7.874	B	2020-09-03 21:06:06

PETCAM_RE5_V1.DSP

BOT-Layer

Index	Designator	Part Value	Foot Print	Comment	Rotation	Mount	Pri-Feeder	MidX	MidY	Layer	Date/Time
78	IC3	TPS62400\son10	SON10P_TPS62400		360	0		-14.2494	4.4704	B	2020-09-03 21:06:06
55	IC4	MCP73832T-2ATI/ OT	SOT23-5		90	0		-14.8184	-5.6088	B	2020-09-03 21:06:06
54	IC5	MCP1824T-3002E/ OT	SOT23-5		360	0		-10.765	11.11	B	2020-09-03 21:06:06
100	IC6	LIS33DE	LGA16_LIS33DE		360	0		-10.668	-11.0998	B	2020-09-03 21:06:06
108	IC7	MCP9510CT-E/CH	SOT23-6		360	0		-1.6718	-11.9786	B	2020-09-03 21:06:06
77	L3	LPS3010 2μ2	LPS3010_2μ2		360	0		-11.049	0.254	B	2020-09-03 21:06:06
76	L4	LPS3010 2μ2	LPS3010_2μ2		180	0		-16.6878	0.254	B	2020-09-03 21:06:06
22	M10	Testpoint	Testpoint		180	0		1.27	-7.62	B	2020-09-03 21:06:06
21	M11	Testpoint	Testpoint		180	0		-1.27	-7.62	B	2020-09-03 21:06:06
20	M15	Testpoint	Testpoint		180	0		-8.89	-6.35	B	2020-09-03 21:06:06
19	M18	Testpoint	Testpoint		180	0		-11.43	-6.35	B	2020-09-03 21:06:06
18	M19	Testpoint	Testpoint		180	0		4.445	1.651	B	2020-09-03 21:06:06
17	M20	Testpoint	Testpoint		180	0		1.397	1.016	B	2020-09-03 21:06:06
188	M24	Testpoint	Testpoint		180	0		-15.24	12.7	B	2020-09-03 21:06:06
109	Q1	27MHz	ABM8_26M		360	0		13.462	2.6416	B	2020-09-03 21:06:06
110	Q2	12MHz	ABM8_26M		90	0		5.7658	-12.2428	B	2020-09-03 21:06:06
111	Q3	32,768KHz	CM415_32K768		360	0		8.001	2.032	B	2020-09-03 21:06:06
62	R1	3K3	0402		180	1	W24	6.731	4.0386	B	2020-09-03 21:06:06
83	R10	10K	0402		180	1	W27	-12.7254	-3.2512	B	2020-09-03 21:06:06

PETCAM_RE5_V1.DSP

BOT-Layer

Index	Designator	Part Value	Foot Print	Comment	Rotation	Mount	Pri-Feeder	MidX	MidY	Layer	Date/Time
113	R11	220R	0402		180	0		1.3716	11.3792	B	2020-09-03 21:06:06
114	R12	220R	0402		360	0		1.3716	10.5664	B	2020-09-03 21:06:06
53	R13	100K	0402		360	1	w2	-7.874	12.6492	B	2020-09-03 21:06:06
46	R15	39R	0402		90	0		11.2776	-11.0744	B	2020-09-03 21:06:06
45	R16	39R	0402		90	0		10.1092	-11.0744	B	2020-09-03 21:06:06
123	R18	3K3	0402		180	1	w24	-11.8364	-8.7122	B	2020-09-03 21:06:06
124	R19	3K3	0402		90	1	w24	-12.9794	-10.0584	B	2020-09-03 21:06:06
61	R2	3K3	0402		180	1	w24	6.731	4.8514	B	2020-09-03 21:06:06
127	R21	10K	0402		360	1	w27	-13.716	1.778	B	2020-09-03 21:06:06
128	R22	470R	0402		180	1	w20	-5.8928	6.1976	B	2020-09-03 21:06:06
129	R23	4K7	0402		270	1	w26	-12.7	-4.6736	B	2020-09-03 21:06:06
132	R24	4K7	0402		360	1	w26	16.9672	8.4074	B	2020-09-03 21:06:06
133	R25	100K	0402		180	1	w2	16.9672	9.271	B	2020-09-03 21:06:06
134	R26	33R	0402		360	0		16.9672	10.1092	B	2020-09-03 21:06:06
135	R27	100K	0402		360	1	w2	16.9672	11.8364	B	2020-09-03 21:06:06
136	R28	100K	0402		360	1	w2	14.986	11.811	B	2020-09-03 21:06:06
106	R3	360K	0402		360	0		-13.5382	7.8994	B	2020-09-03 21:06:06
139	R31	10K	0402		180	1	w27	16.9672	10.9728	B	2020-09-03 21:06:06
140	R32	100K	0402		360	1	w3	-15.2146	7.0612	B	2020-09-03 21:06:06

PETCAM_RE5_V1.DSP

BOT-Layer

Index	Designator	Part Value	Foot Print	Comment	Rotation	Mount	Pri-Feeder	MidX	MidY	Layer	Date/Time
144	R33	42K	0402		90	0		-4.0894	-12.446	B	2020-09-03 21:06:06
154	R34	10K	0402		270	1	W27	-1.8542	1.143	B	2020-09-03 21:06:06
155	R35	10K	0402		360	1	W27	0.4064	-1.1938	B	2020-09-03 21:06:06
14	R37	220R	0402		90	0		-8.9662	8.4328	B	2020-09-03 21:06:06
60	R4	180K	0402		270	0		-11.938	6.604	B	2020-09-03 21:06:06
30	R41	10K	0402		180	1	W27	6.4008	11.8364	B	2020-09-03 21:06:06
59	R5	680K	0402		270	0		-19.685	6.604	B	2020-09-03 21:06:06
107	R6	180K	0402		270	0		-18.6944	6.604	B	2020-09-03 21:06:06
98	R7	27R	0402		180	0		4.2164	9.2456	B	2020-09-03 21:06:06
97	R8	33R	0402		90	0		5.7658	10.414	B	2020-09-03 21:06:06
84	R9	10K	0402		90	1	W27	-7.0612	-1.9558	B	2020-09-03 21:06:06
178	ST1	CON\8P\SAMTEC CLP\smd127	P\8P\127SMD\CLP_Bott		270	0		18.923	-0.762	B	2020-09-03 21:06:06
13	T1	BC847B	SOT-23-3_BC847B		270	0		-5.715	-4.3434	B	2020-09-03 21:06:06

BOT-Layer

